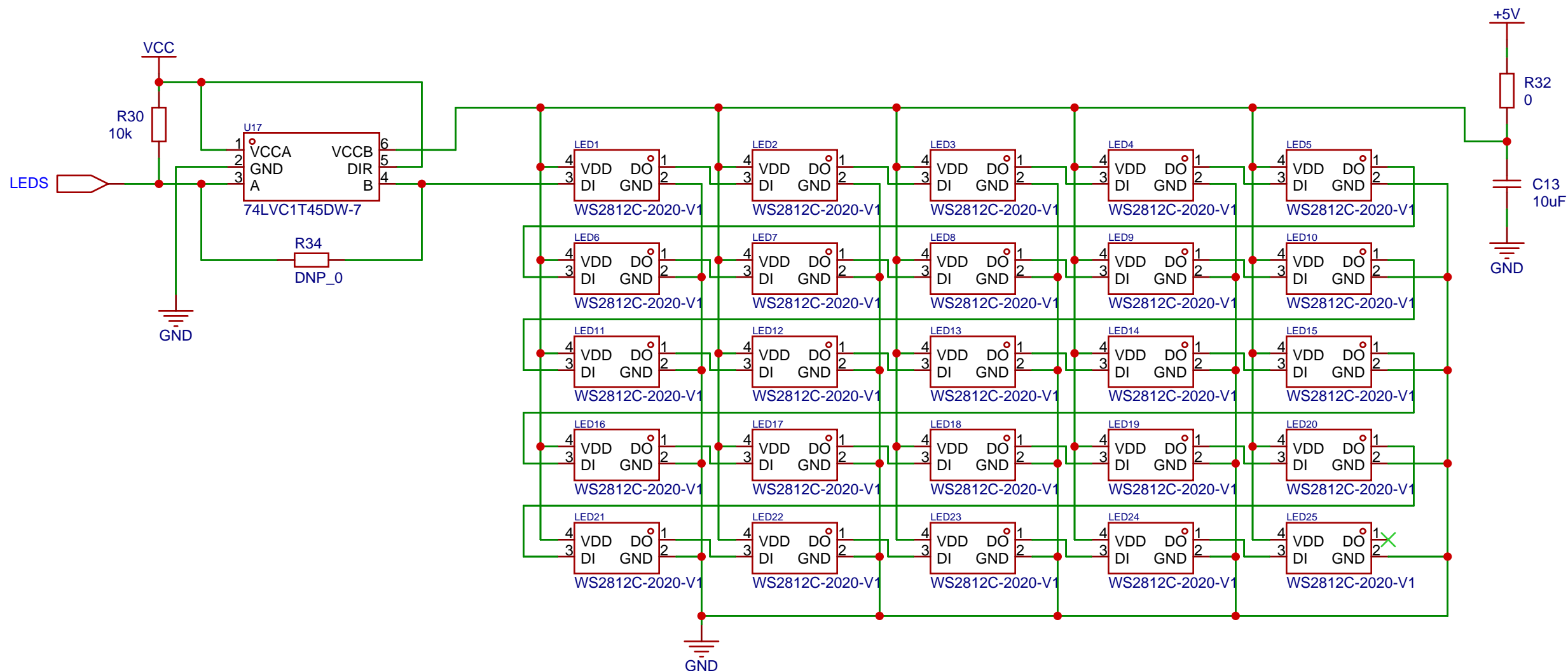

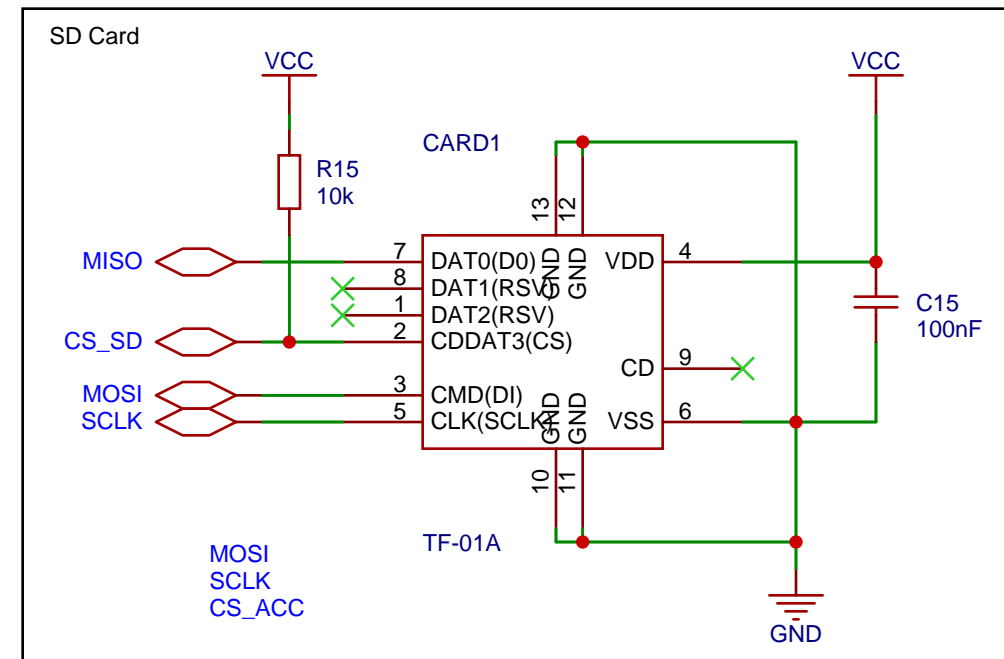
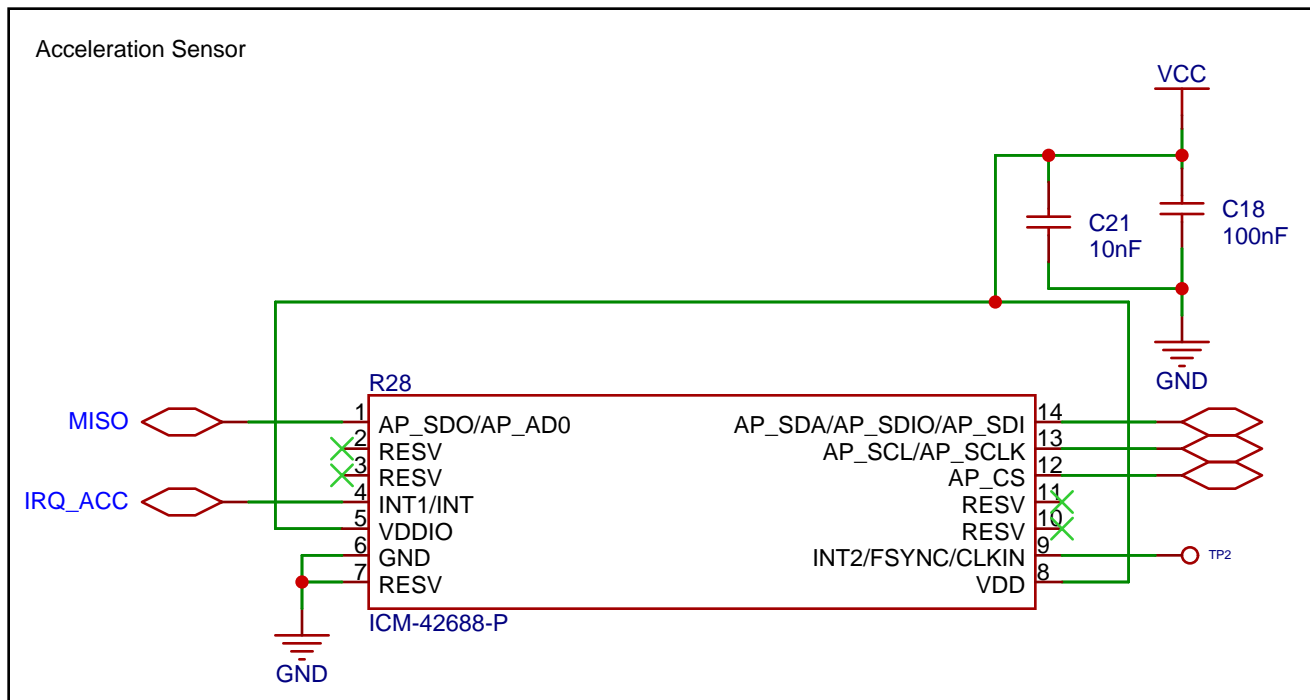
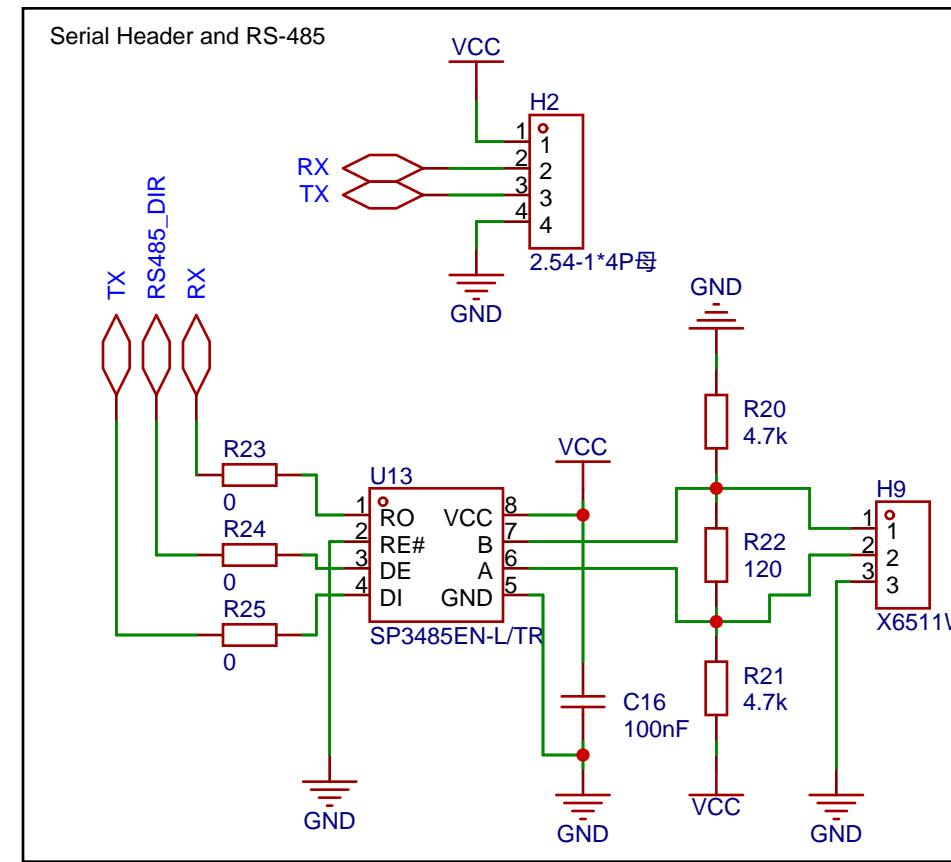
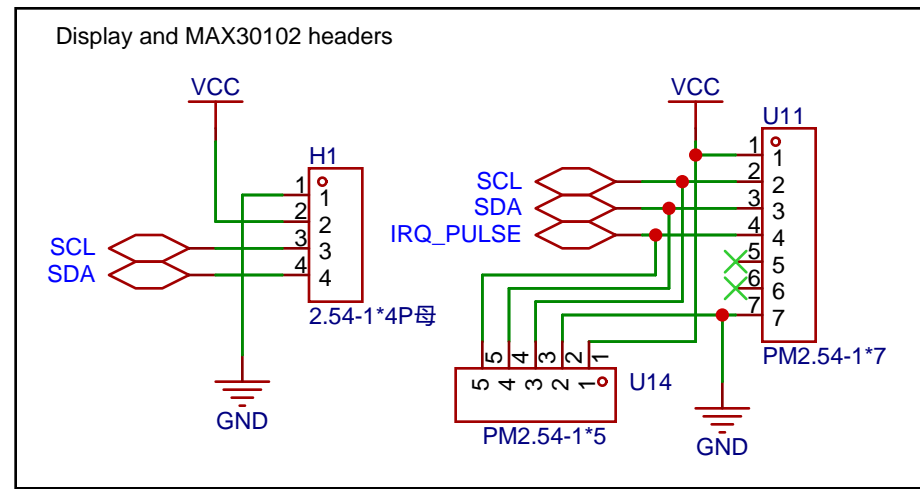
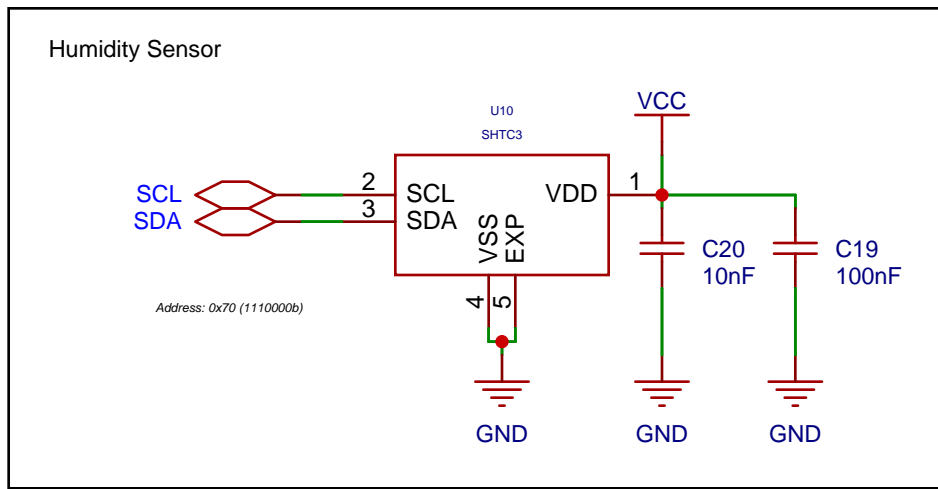


Schematic	bookdevelopmentboard			Update Date	2023-09-27
Page	ESP_Base			Create Date	2023-06-20
Drawn	RPA	esp_book_support_board		Part Number	bdb-001
Reviewed	EasyEDA Pro				
		VER	SIZE	PAGE	1 OF 3
EasyEDA		V1.2	A4	clownfish.at	



Schematic	bookdevelopmentboard		Update Date	2023-09-18
			Create Date	2023-07-11
Page	WS2812_LEDs		Part Number	bdb-002
Drawn	RPA	esp_book_support_board		
Reviewed	RPA			
		VER	SIZE	PAGE 2 OF 3
		V1.2	A4	clownfish.at



Schematic	bookdevelopmentboard			Update Date	2023-10-02				
				Create Date	2023-07-11				
Page	i2c_spi			Part Number	bdb-003				
Drawn	RPA	esp_book_support_board							
Reviewed	RPA								
				VER	SIZE	PAGE	3	OF	3
EasyEDA				V1.2	A4	clownfish.at			